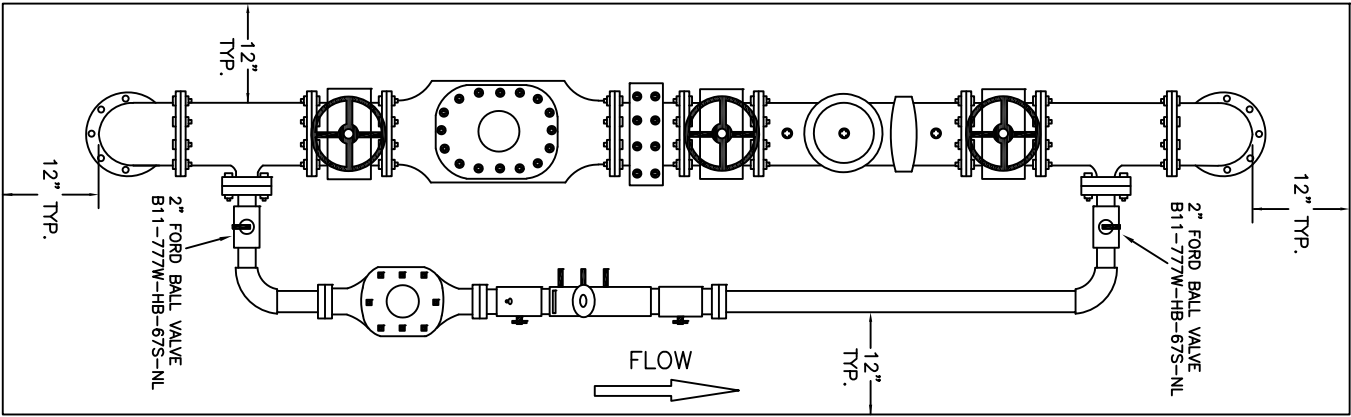
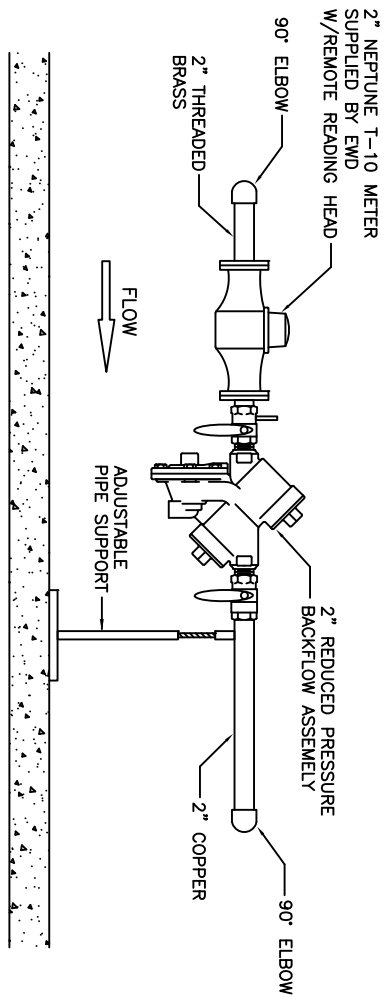


# PLAN VIEW



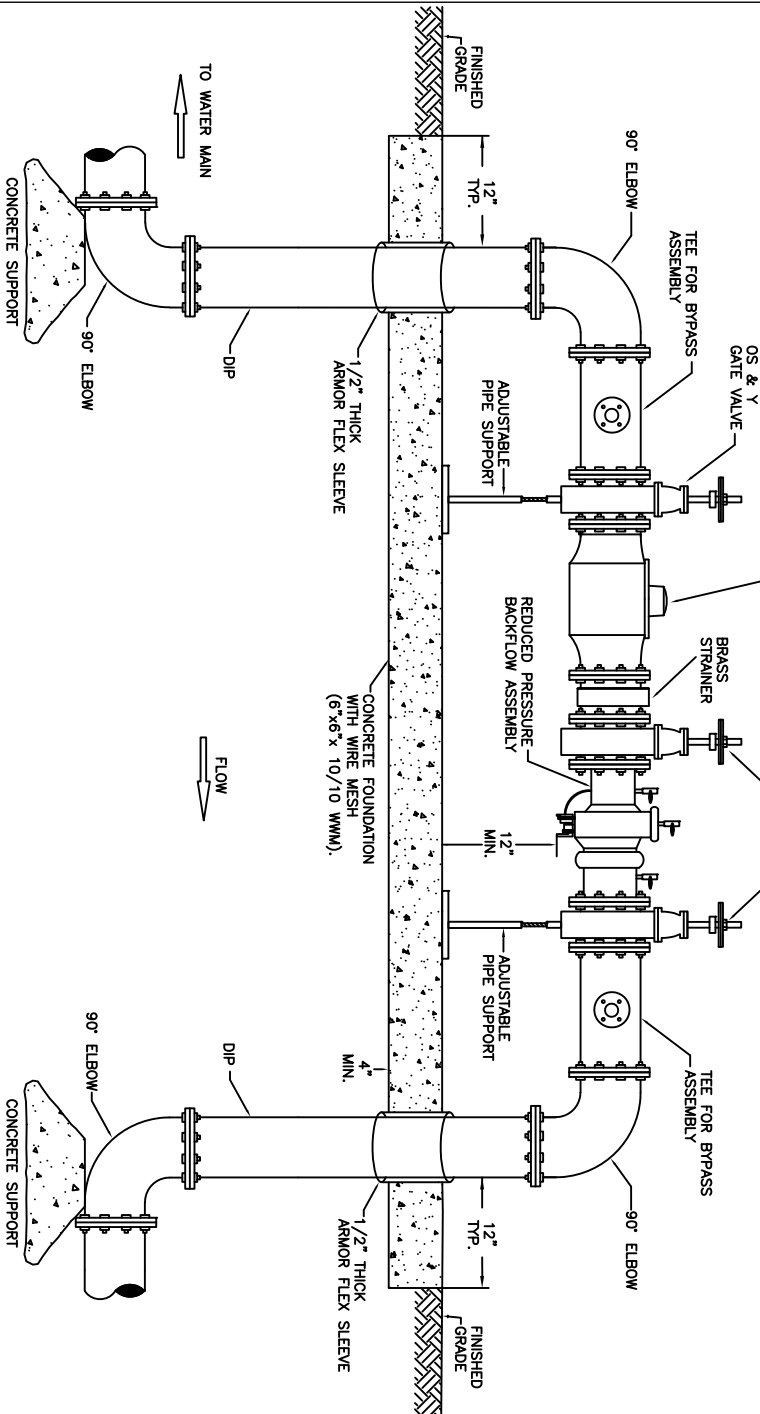
# BYPASS ASSEMBLY PROFILE



# MAIN ASSEMBLY PROFILE

NOTE: FOR 3" METER INSTALLATIONS, ALL PIPE/FITTINGS UP TO THE METER SHALL BE 4" MINIMUM AND A REDUCER INSTALLED BEFORE THE METER

NEPTUNE MACH 10  
ULTRASONIC  
METER SUPPLIED BY  
DEVELOPER WITH  
REMOTE  
READING HEAD



LAST REVISION	APR. 2022
CHECKED	MM
APPROVED	KRL

**3" AND GREATER ABOVE GROUND  
METER INSTALLATION WITH BYPASS**



**ENGLEWOOD WATER DISTRICT  
201 SELMA AVENUE  
ENGLEWOOD, FLORIDA 34223**